

DESIGN GUIDELINE

METER INSTALLATION
DETECTOR CHECK METER

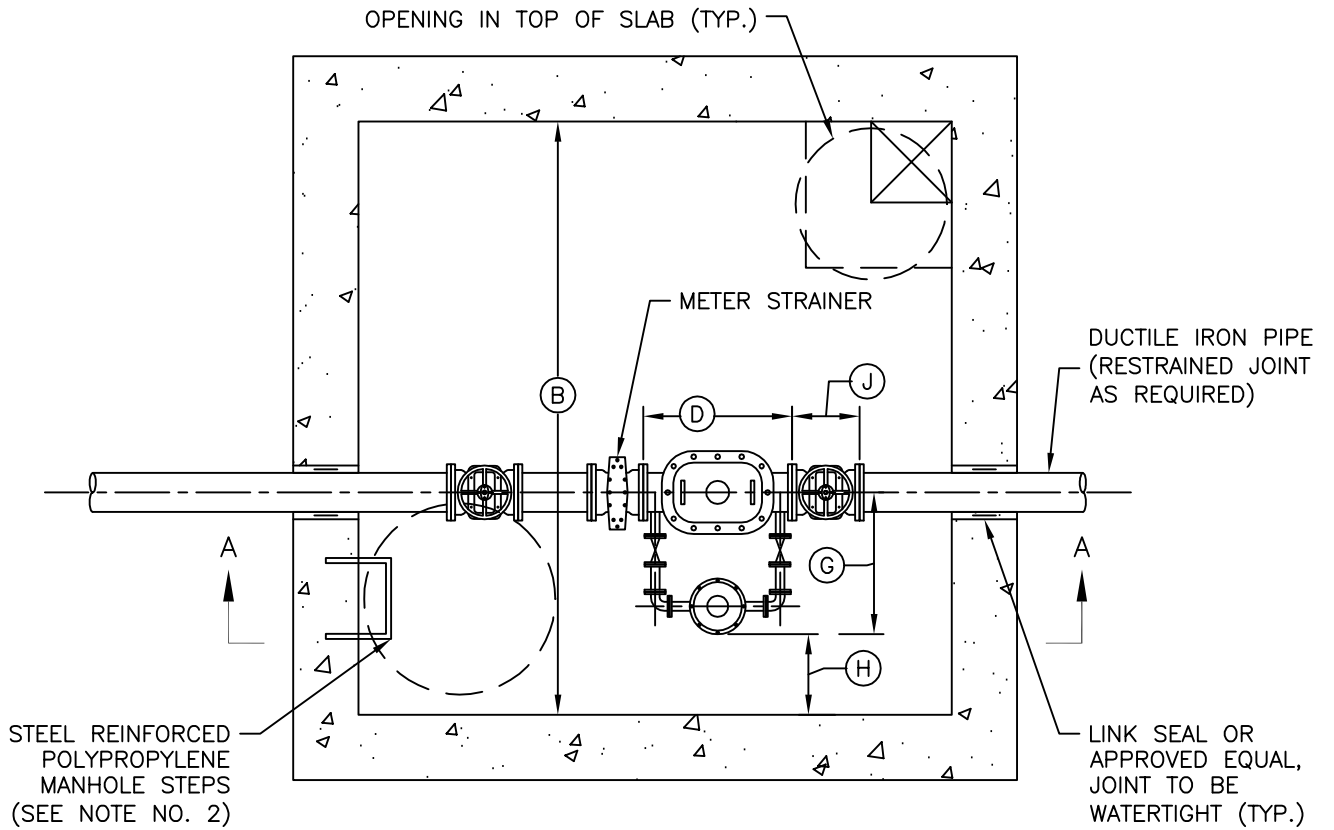
APPROVED BY: X. XXXXXXXXXXXX

REVIEWED BY: J. SHABELSKI

PREPARED BY: OBC/BKJV

REVISION NO.: 0

DATE: XX/XX/XX



SECTIONAL PLAN
(NOT TO SCALE)